

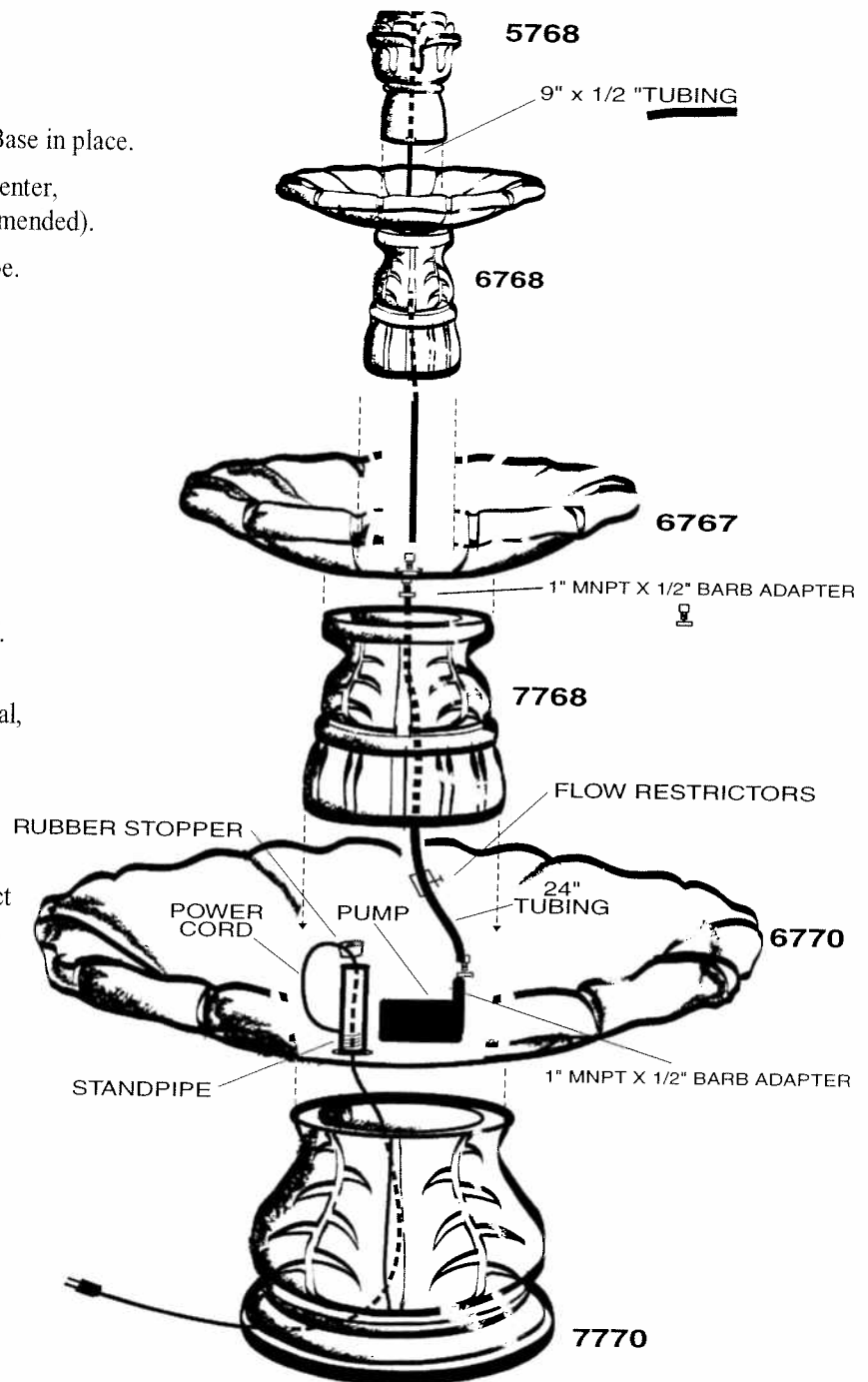
HENRI

SYNTHETIC INC.

Classic Finial Fountain

5768F

1. Prepare a firm, flat surface for your fountain. Set 7770 Base in place.
2. Thread standpipe into 6770 Bowl. Place bowl on base, center, and check to make sure it is level (use of a 4' level is recommended).
3. Place pump in bowl and push power cord down stand pipe. Reach under base and pull cord out for later connection. Open slit in rubber stopper and place around power cord just above the stand pipe. Then push the stopper firmly into the stand pipe to create a water tight seal.
4. Thread the smaller 1/2" barb adapter into the pump. Attach long tube to the adapter's barb. Place a flow restrictor on the tube about 6" from the pump, tightening just enough to keep it in place on the tube.
5. Place the 7768 Riser Pedestal around the pump and standpipe in the bowl. Check to make sure it is centered.
6. Insert the two larger barbed adapters in the top and bottom of the 6767 bowl. Place the bowl on the 7768 pedestal, but before you set it down, connect the loose end of the long tube to the barb underneath the 6767 bowl. Then set it down and check to make sure it is centered and level.
7. Connect a short tube to the pipe inside the bottom of the 6768 Small Bowl/Riser unit. Lift this unit into place, connect the bottom of the tube to the barb in the 6767 bowl, and set it down. Check to make sure it is centered and level.
8. Connect the other short tube to the pipe at the top of the small bowl/riser unit. Lift the 5768 Finial and slip it down over this tube into place on the small bowl/riser unit. The tube should run almost to the top of the finial. (Adjusting the position of this tube in the finial will affect the water flow. The water will flow more aggressively if the tube is at the surface and more gently when the tube terminates down inside the finial.)
9. Read your pump instructions, make sure to utilize a GFCI circuit, fill fountain with water, and turn on your pump to enjoy your new fountain.



For best results, locate a suitable site for your fountain that is level and provides pleasing viewing angles. Note: Always follow local electrical codes and use 110V GFCI protected outlet.

IMPORTANT- WINTER CARE:

Do not allow water to collect and freeze in fountain bowl(s) or shell. Do not allow fountain pieces to sit in a pool of ice. Disassemble entire fountain and pump and store indoors during the winter season.

If you cannot store your fountain indoors during the winter season, you must at least protect it from ice collection or exposure. Protect your fountain during the winter season: first remove the statue(s) and pump, storing them inside if possible. Next, locate the drain plug on the underside of bowl(s) or shell. Remove drain plug to drain any water "trapped" between the walls of the bowl(s) or shell. Then fill the bowl(s) or shell with an absorbent material such as burlap, blankets, etc. Finally, cover the entire fountain with a Henri Fountain Cover. Should condensation droplets form on the inside of the cover, they will be absorbed by the material.

By following these simple and sensible precautions during the winter season, you will protect your fountain for years of beauty and enjoyment!

CAUTION: the use of Chlorine or Chlorine Bleach may damage the finish of your fountain. When cleaning your fountain, it is best to test the cleaning agent on an underside or back surface to determine the agents suitability. We recommend the use of a mild, non abrasive detergent. To avoid foaming, thoroughly rinse the fountain to remove all of the cleaning agent.

IS-5768F 01-04