

Assembly Instructions

Stage 1- Fitting the Unit

NOTE: It would be useful to ask someone to help you at this stage.

1. Fix the screw (H) on the table top.
2. Locate the Legs (B) onto the screw fitting on the base of Table Top (A).

See fig. 1.

3. Use Nuts (C), Spring Washers (E) and Washers (G) to fix the Legs (B) onto the Table Top (A).

See fig. 1.

4. Use Screws (A), Nuts (B), Spring Washers (D) and Washers (F) to fix Leg Supports (C) onto the Legs.

See fig. 2.

5. The rubber screw caps at the bottom of the four legs can be adjusted, if necessary, to make the legs level with the ground.

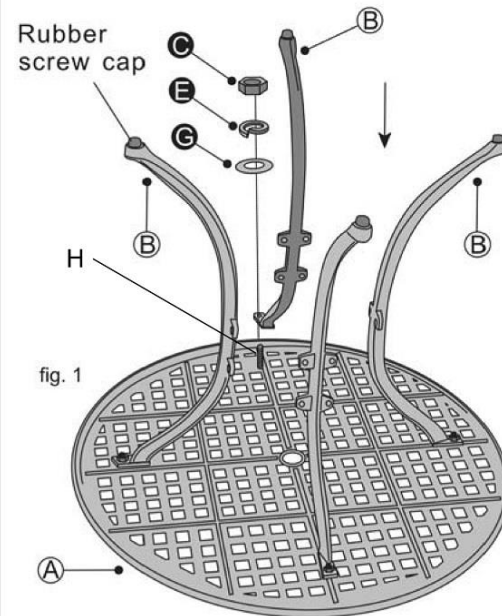


fig. 1

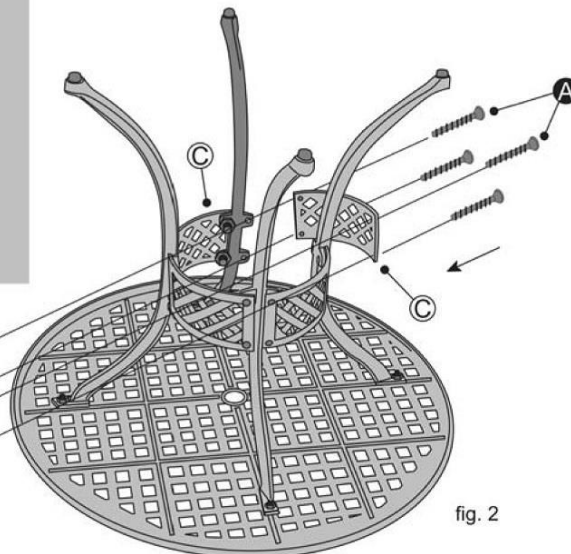


fig. 2

Assembly Instructions

Stage 2 - Finishing the Unit

1. Carefully turn the unit upright. Then place the unit in the desired location.

See fig. 3.



fig. 3

Care and Maintenance

Safety

To avoid any risk of suffocation to animals or children dispose of the plastic bags immediately.

Cleaning

As with all surfaces clean with a damp cloth and mild detergent, do not use bleach or abrasive products.

Fitting

From time to time please ensure there are no loose screws on the product.

To extend product life and appearance it is not recommended to leave your garden furniture outside during winter months.