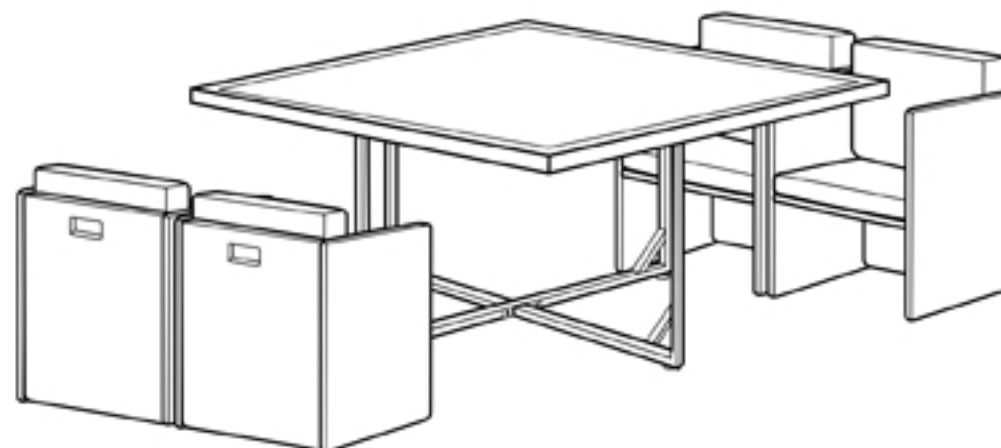
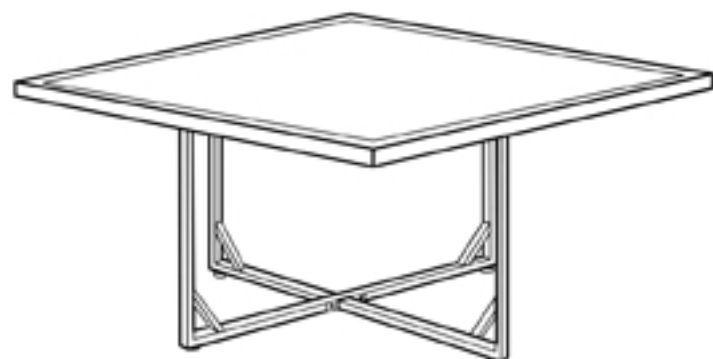
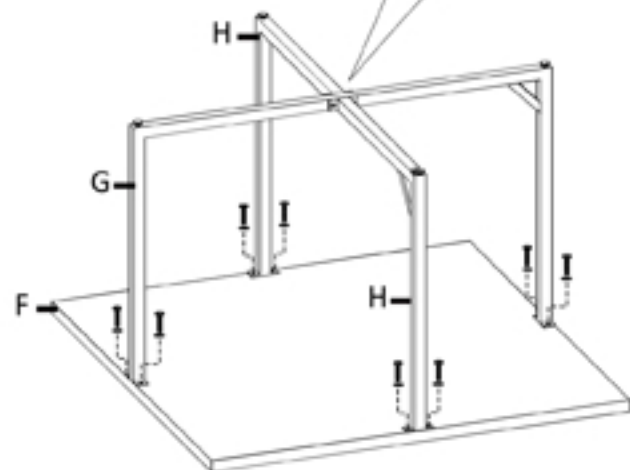
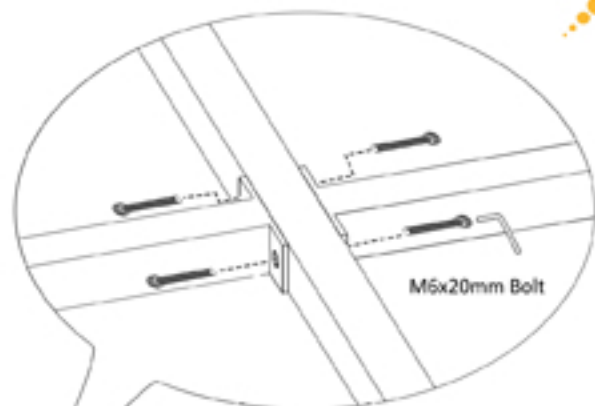


- 1 12x 12x M6x20mm 
 1x 



Thank you for choosing Sunnydaze Décor. If you have any questions, comments or concerns please feel free to contact us by phone at: **888-881-4668**, by email: **customerservice@serenityhealth.com**, or you could also email us via our contact us page at: **www.SerenityHealth.com/contact-us/**.

We stand behind our brand and the quality of the items we sell. We will send new parts, or replace products at our discretion within the one year warranty period. Before we can help, you will need to provide proof of purchase with the date of purchase and photos of the defective merchandise. We will use the photos to determine the cause of defect and for future quality control.



ASSEMBLY INSTRUCTIONS

MLM-726

PARTS AND HARDWARES



A: Armrest 8x



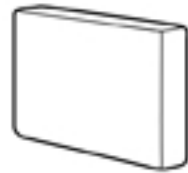
B: Backrest 4x



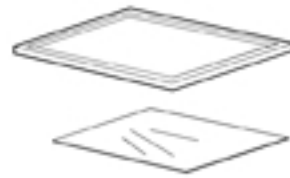
C: Seat Panel 4x



D: Seat cushion 4x



E: Back cushion 4x



F: Table frame 1x /Table glass



G: Leg Frame 1x



H: Leg Frame 2x



J: M6x20mm 12x



K: M6x40mm 40x

