

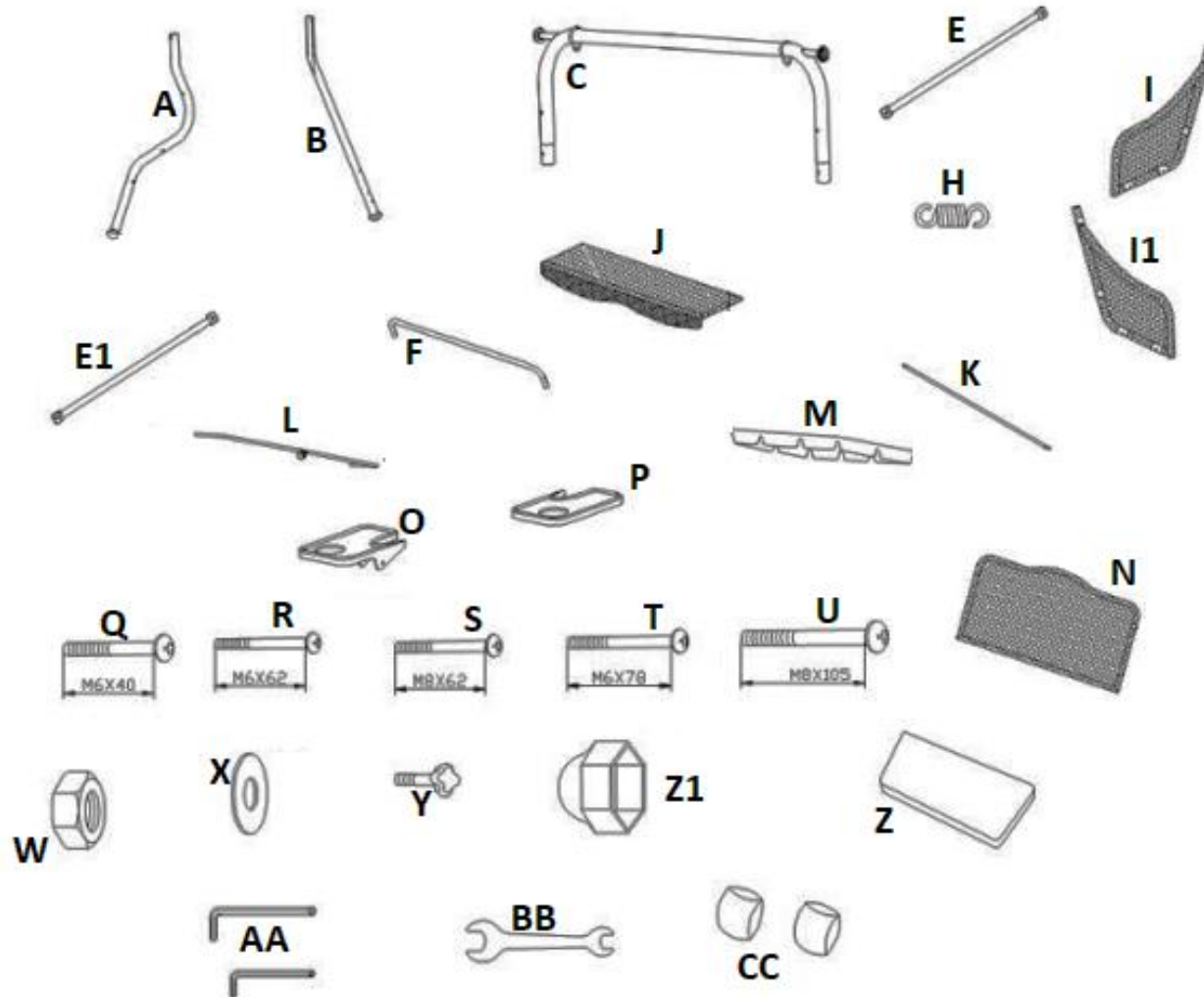
Thank you for choosing Sunnydaze Decor. We stand behind our brand and the quality of the items we sell. Replacement parts or products will be sent at our discretion, within the one-year warranty period. Proof of purchase, with the date of purchase as well as photos of the defective merchandise, must be provided. If you have any questions, comments or concerns please feel free to contact us by phone at: 888-881-4668. You may also contact us by email: customerservice@serenityhealth.com, or via our webpage at: www.serenityhealth.com/contact-us/



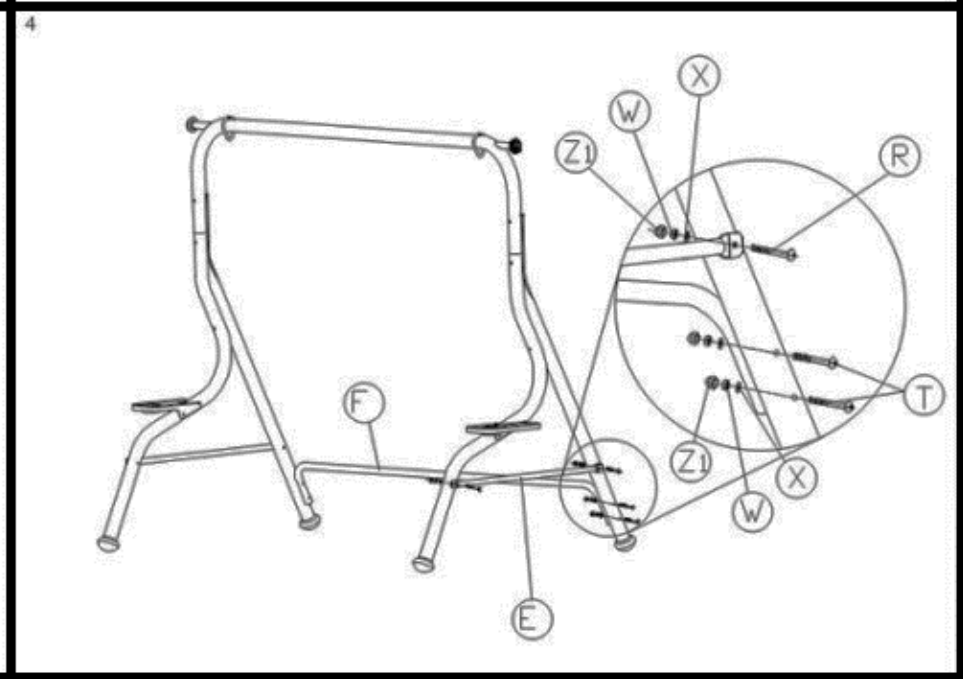
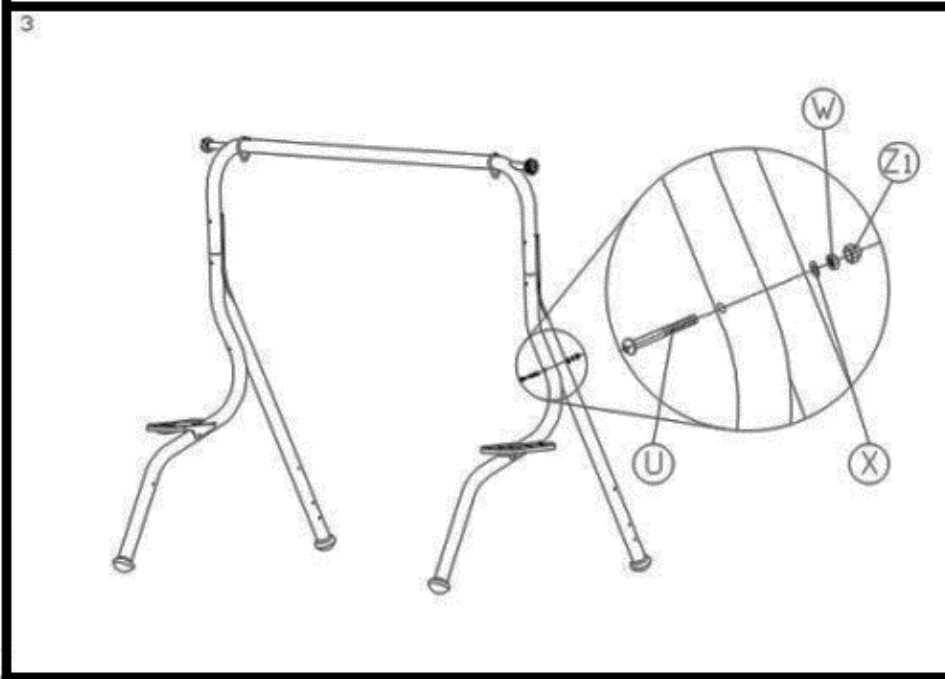
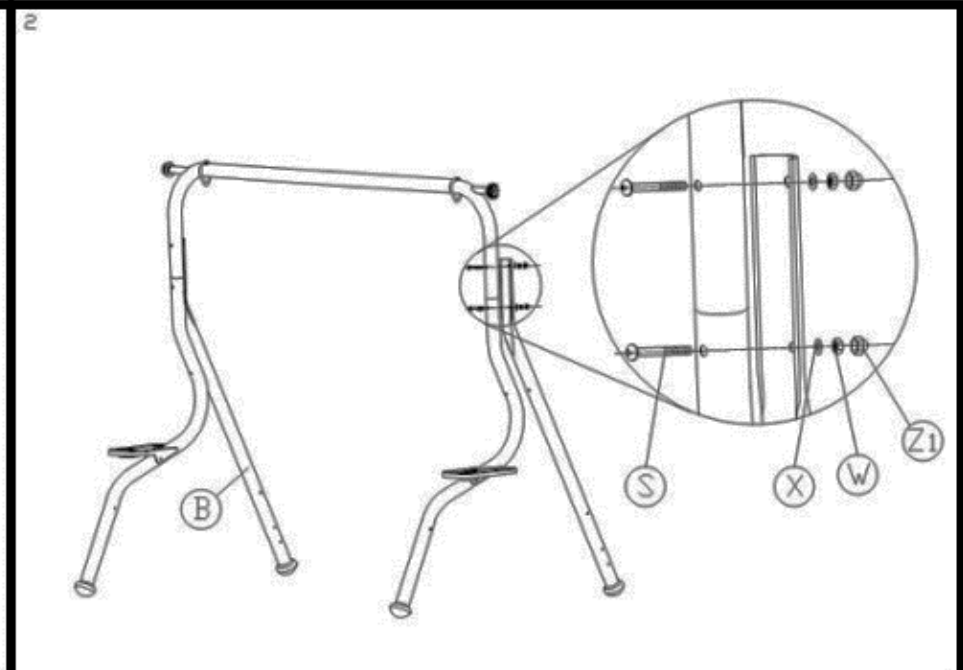
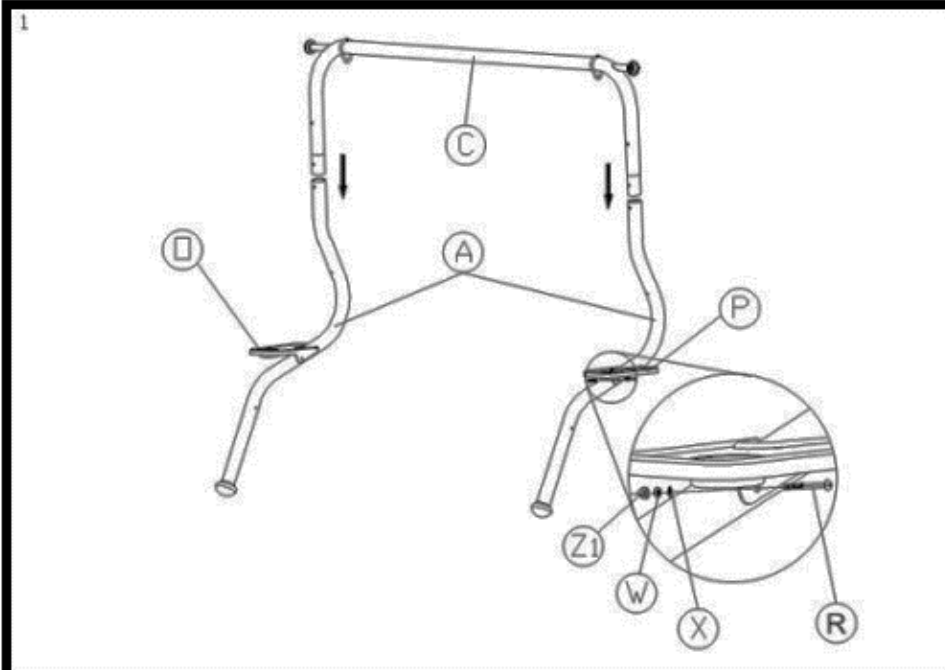
2-Seater Rattan Swing with Canopy

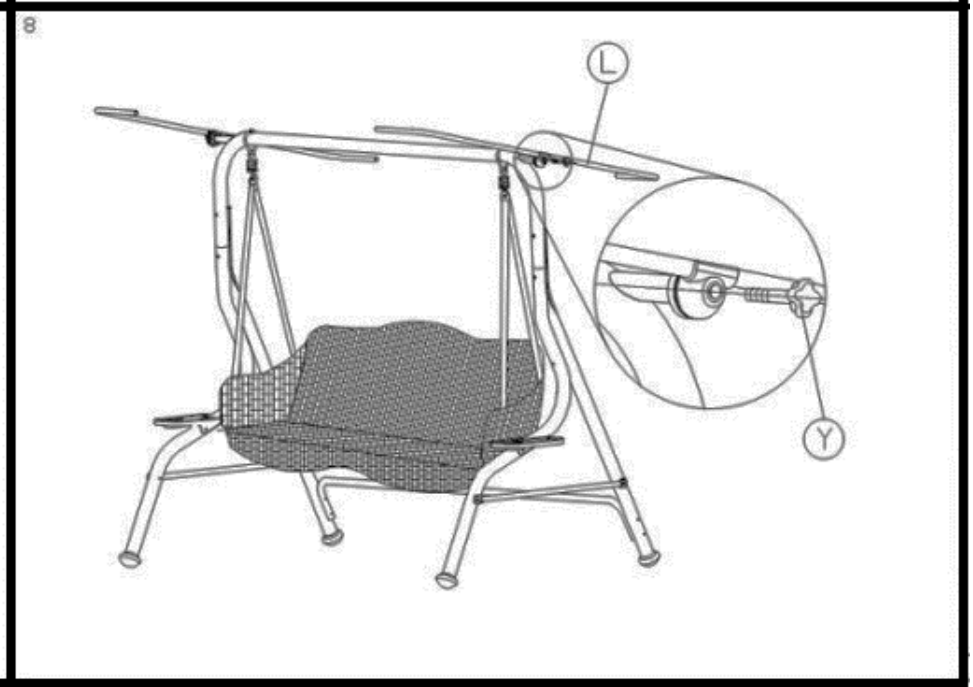
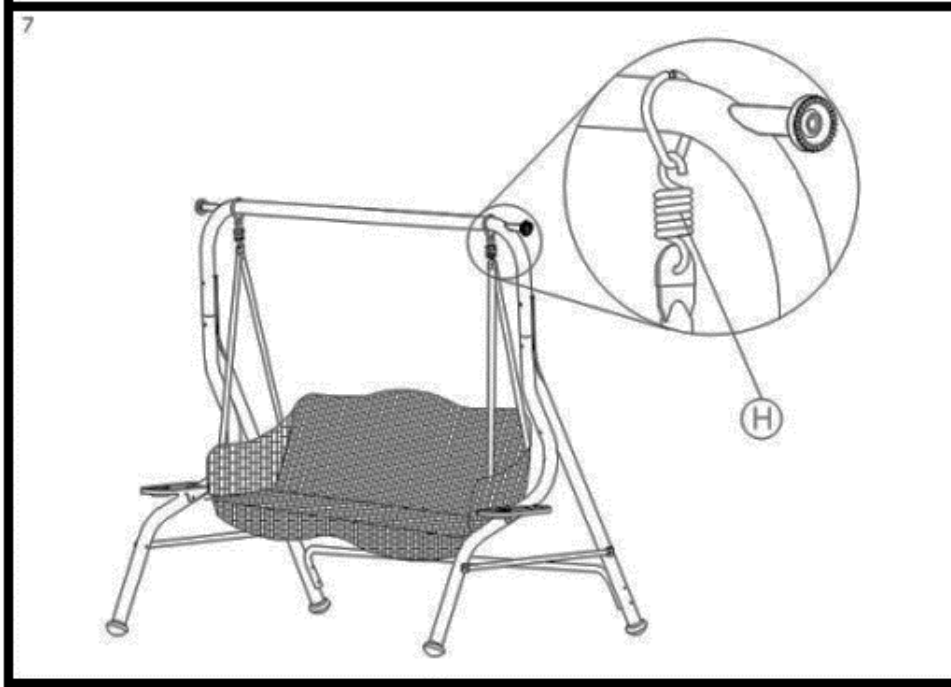
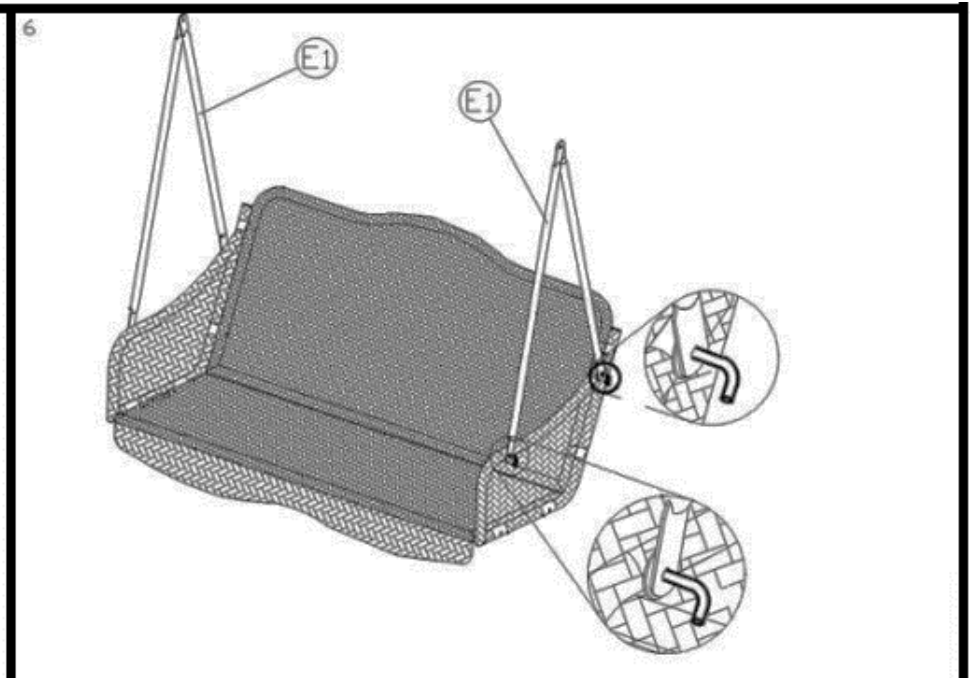
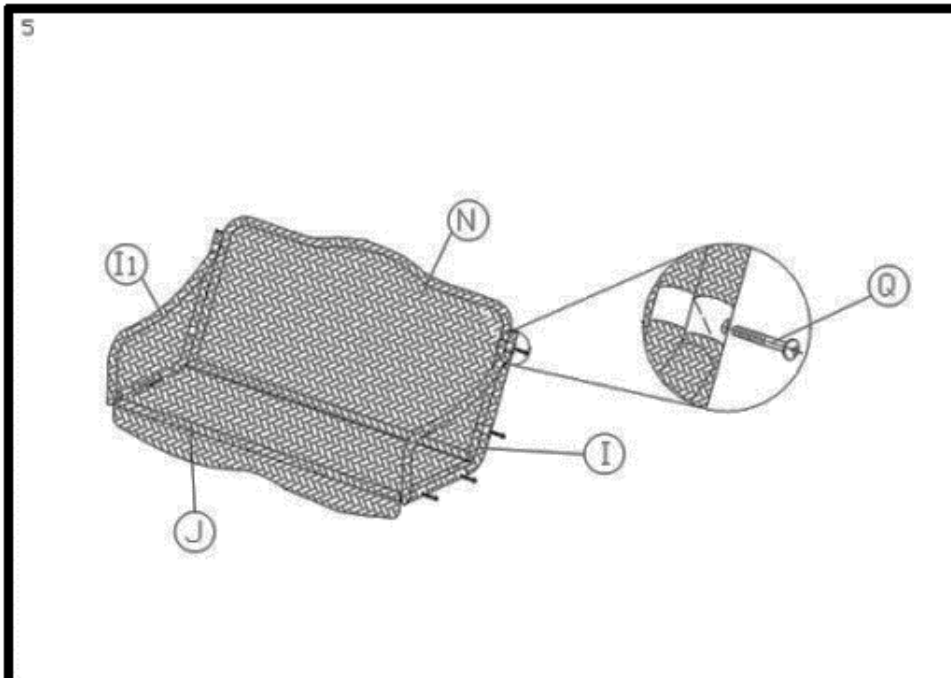


PARTS LIST

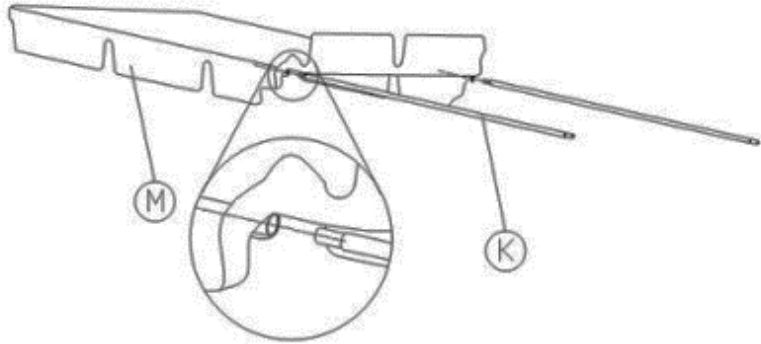


<u>A.</u>	2	<u>J.</u>	1	<u>N.</u>	1	<u>T.</u>	4	<u>Z1.</u>	6
<u>B.</u>	2	<u>H.</u>	2	<u>O.</u>	1	<u>U.</u>	2	<u>AA.</u>	1
<u>C.</u>	1	<u>L.</u>	1	<u>P.</u>	1	<u>W.</u>	6	<u>BB.</u>	1
<u>E.</u>	2	<u>K.</u>	2	<u>Q.</u>	8	<u>X.</u>	6	<u>CC.</u>	2
<u>E1.</u>	4	<u>L.</u>	2	<u>R.</u>	6	<u>Y.</u>	2		
<u>F.</u>	1	<u>M.</u>	1	<u>S.</u>	4	<u>Z.</u>	1		





9



10



11

