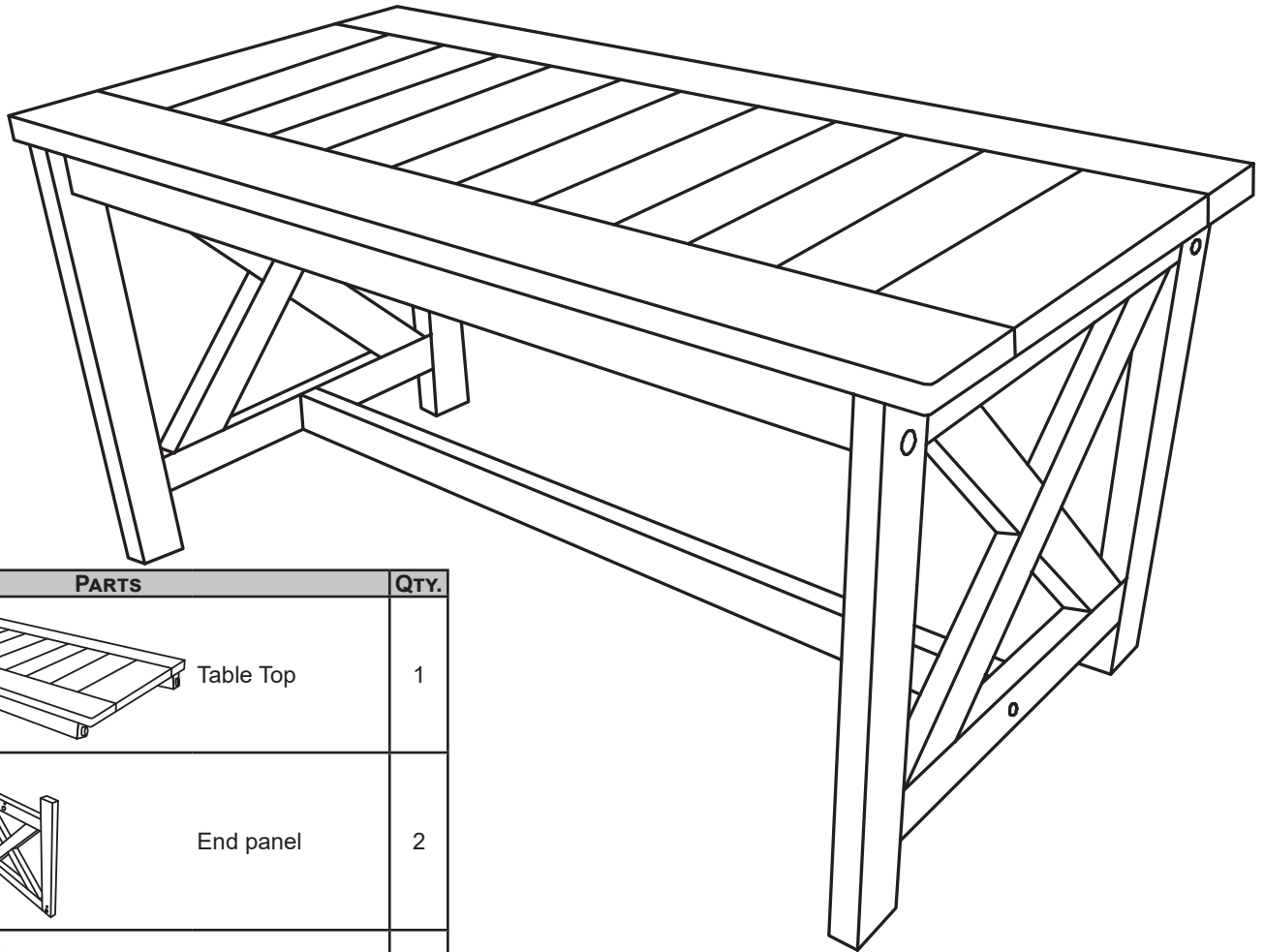
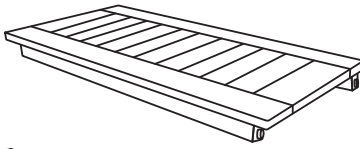
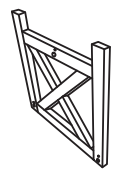


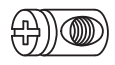

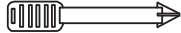



OUTDOOR COFFEE TABLE

LAM-585

Read all assembly and care instructions carefully before using this product. Save this manual for future reference.
Assemble components on a soft, clean surface to avoid damaging the finish.



No.	PARTS	QTY.
A	 Table Top	1
B	 End panel	2
C	 Support Beam	1
D	 JCBC 60mm	6
E	 Barrel Nut	6
F	 Hex Key	1
G	 Barrel Nut Driver	1

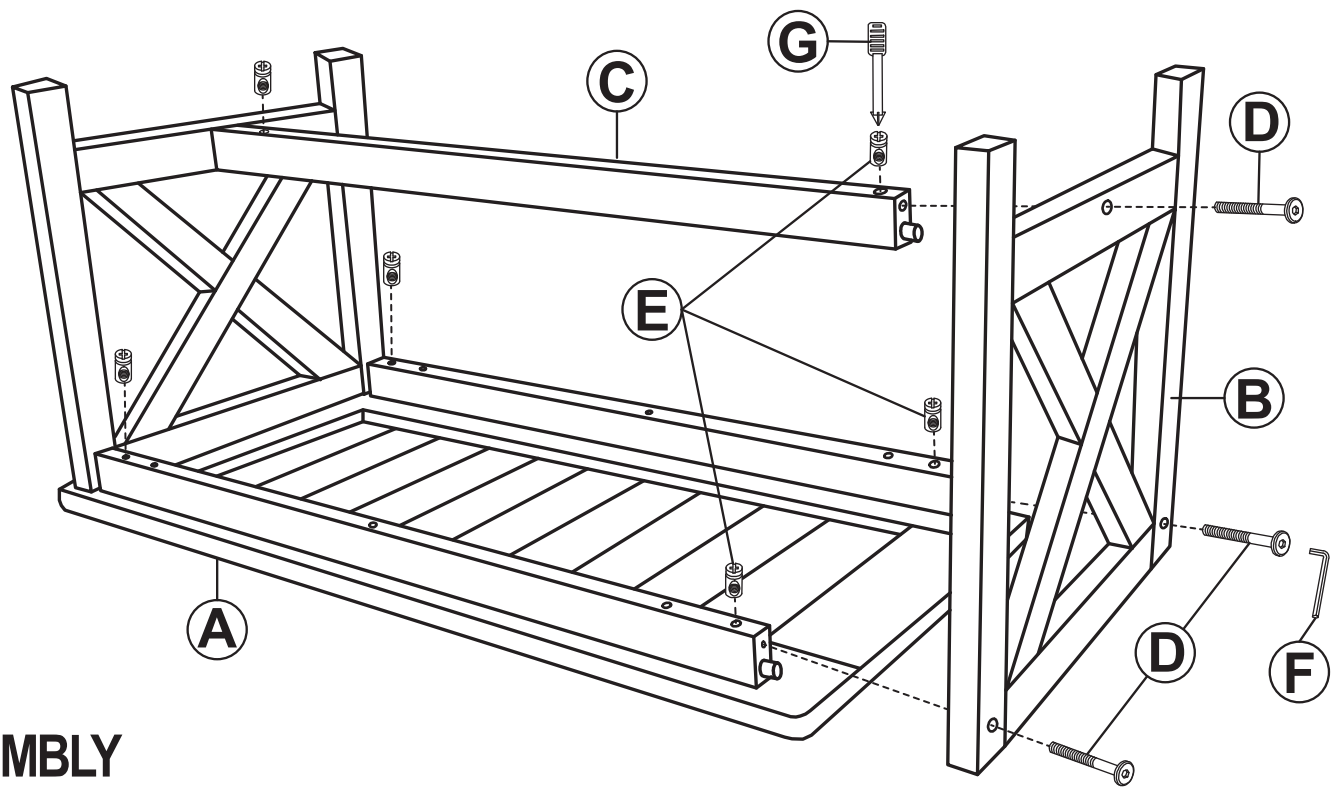


Ensure all parts are accounted for before disposing of packaging.

⚠ WARNING ⚠
CHOKING HAZARD — This item contains small parts that can be swallowed. Keep children away during assembly.

! HELPFUL HINT

This item was treated with teak oil at the factory. Apply a suitable wood oil at least once a year, or when the wood looks particularly dry. Left untreated, the wood will weather to a silvery gray color.



ASSEMBLY

NOTE: Do not fully tighten any bolt until all bolts have been placed.

1. Lay Table Top (A) face-down on a clean, soft surface.
2. With the slotted ends facing upwards, place 4x Barrel Nut (E) into the underside of the table top. Use Barrel Nut Driver (G) to turn the barrel nut so the threaded hole aligns with the pre-drilled hole.
3. Align Leg Panel (B) with Table Top (A) and loosely secure them by hand-tightening 2x JCBC 60mm bolts (D). Repeat this step on the opposite side of the table.
4. Insert 2x Barrel Nut (E) into Support Beam (C) and secure between End Panels (B) using 2x JCBC 60mm bolts (D).
5. Gently tighten all bolts using Hex Key (F).

USE & CARE

SAFE USE: Place the table on a flat, level surface. Never sit or climb on the table.

INSPECT: Periodically check assembly points and tighten fittings as necessary.

CLEANING: Identify the direction of the woodgrain. Following the direction of the woodgrain, wipe surfaces with a soft cloth.

MAINTENANCE: This furniture was treated with teak oil at the factory. Apply a suitable wood oil at least once a year, or when the wood looks particularly dry. Follow application instructions as noted with the suitable wood oil (not included).

STORAGE: Protect this item from ice and snow. Store indoors, in a dry location. Covering the unit while in storage will help prevent dust buildup.

Any modification or failure to follow the recommended care will void the product warranty.

⚠️ WARNING:

Manufacturer and seller expressly disclaim any and all liability from personal injury, property damage or loss, whether direct or indirect, or incidental, resulting from the incorrect attachment, improper use, inadequate maintenance, or neglect of this product.