

MERANTI WOOD OCTAGON FOLDING OUTDOOR PATIO TABLE FRN-978

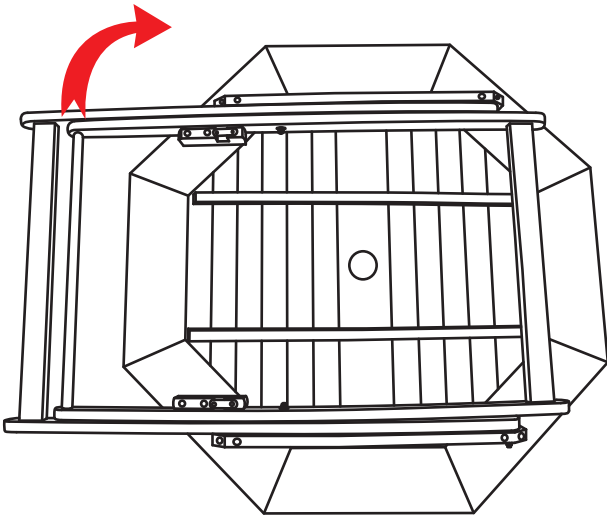
Read this manual carefully before using this product. Save this manual for future reference.



WARNING!

Manufacturer and seller expressly disclaim any and all liability from personal injury, property damage or loss, whether direct or indirect, or incidental, resulting from the incorrect attachment, improper use, inadequate maintenance, or neglect of this product.

ASSEMBLY

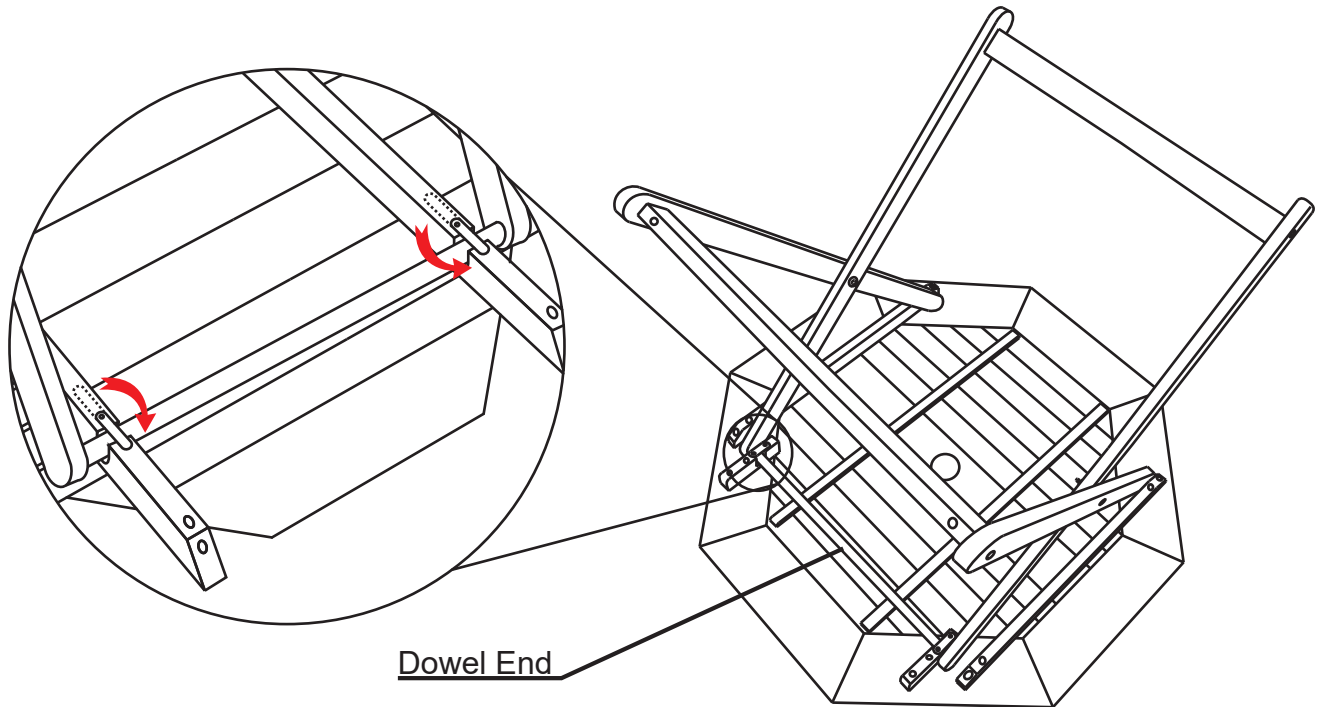


STEP 1

1. From the edges overhanging the tabletop, lift both legs upwards.

STEP 2

1. Place the dowel end of the leg into the notch on the tabletop.
2. Turn the metal tabs to keep the legs in place.



IMPORTANT INFORMATION

SAFE USE: Ensure the metal tab on the underside of the table is in the correct position before each use. Do not stand or sit on the table. Only use on a flat, level surface.

CLEANING: Identify the direction of the woodgrain. Following the direction of the woodgrain, wipe surfaces with a dry soft cloth. Do not use harsh chemicals or abrasive materials or a pressure washer to clean.

COVER: When not in use, covering the table with a breathable cover will help protect it from the harmful effects of sunlight, dust build-up, and collecting debris.

WINTER CARE & STORAGE: Protect this item from inclement weather, especially ice and snow. Move the table to a cool, dry indoor location. Covering the table while in storage is recommended to help prevent dust build-up.

MAINTENANCE: Left untreated, the wood may weather. A suitable wood stain or oil may need to be applied yearly.

WARNING: THE ONE-YEAR WARRANTY DOES NOT COVER DAMAGES OR DEFECTS CAUSED BY THE USE OF CHEMICAL TREATMENTS OR PROTECTIVE COATINGS.

Any modification or failure to follow the recommended care will void the product warranty.

MERANTI WOOD FOLDING OUTDOOR PATIO CHAIR FRN-985

Save this manual for future reference.



Simply fold the seat down and place the chair on a flat, level surface.

IMPORTANT INFORMATION

SAFE USE: Do not stand on the chair. Only use on a flat, level surface.

CLEANING: Identify the direction of the woodgrain. Following the direction of the woodgrain, wipe surfaces with a dry soft cloth. Do not use harsh chemicals or abrasive materials or a pressure washer to clean.

COVER: When not in use, covering with a breathable cover will help protect it from the harmful effects of sunlight, dust build-up, and collecting debris.

WINTER CARE & STORAGE: Protect this item from inclement weather, especially ice and snow. Move to a cool, dry indoor location. Covering while in storage is recommended to help prevent dust build-up.

MAINTENANCE: Left untreated, the wood may weather. A suitable wood stain or oil may need to be applied yearly.

WARNING: THE ONE-YEAR WARRANTY DOES NOT COVER DAMAGES OR DEFECTS CAUSED BY THE USE OF CHEMICAL TREATMENTS OR PROTECTIVE COATINGS.

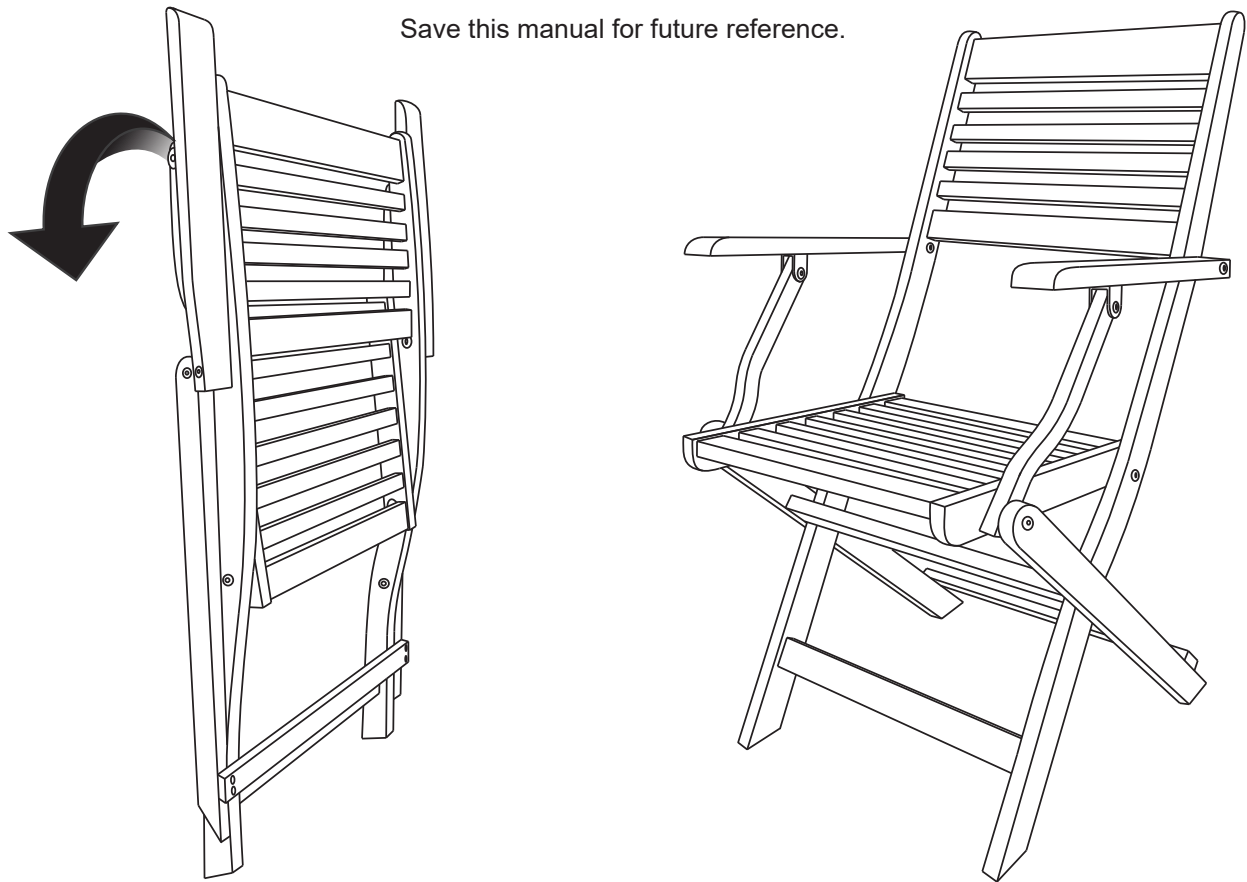
⚠ WARNING:

Manufacturer and seller expressly disclaim any and all liability from personal injury, property damage or loss, whether direct or indirect, or incidental, resulting from the incorrect attachment, improper use, inadequate maintenance, or neglect of this product.

Any modification or failure to follow the recommended care will void the product warranty.

MERANTI WOOD FOLDING OUTDOOR PATIO ARMCHAIR FRN-992

Save this manual for future reference.



Simply fold the seat down and place the chair on a flat, level surface.

IMPORTANT INFORMATION

SAFE USE: Do not stand on the chair. Only use on a flat, level surface.

CLEANING: Identify the direction of the woodgrain. Following the direction of the woodgrain, wipe surfaces with a dry soft cloth. Do not use harsh chemicals or abrasive materials or a pressure washer to clean.

COVER: When not in use, covering with a breathable cover will help protect it from the harmful effects of sunlight, dust build-up, and collecting debris.

WINTER CARE & STORAGE: Protect this item from inclement weather, especially ice and snow. Move to a cool, dry indoor location. Covering while in storage is recommended to help prevent dust build-up.

MAINTENANCE: Left untreated, the wood may weather. A suitable wood stain or oil may need to be applied yearly.

WARNING: THE ONE-YEAR WARRANTY DOES NOT COVER DAMAGES OR DEFECTS CAUSED BY THE USE OF CHEMICAL TREATMENTS OR PROTECTIVE COATINGS.

WARNING:

Manufacturer and seller expressly disclaim any and all liability from personal injury, property damage or loss, whether direct or indirect, or incidental, resulting from the incorrect attachment, improper use, inadequate maintenance, or neglect of this product.

Any modification or failure to follow the recommended care will void the product warranty.