



Thank you for choosing Sunnydaze Decor. If you have any questions, comments or concerns please feel free to contact us by phone at: **888-881-4668**, by email: customerservice@serenityhealth.com, or you could also email us via our contact us page at: www.serenityhealth.com/contact-us/.

We stand behind our brand and the quality of the items we sell. We will send new parts, or replace products at our discretion within the one year warranty period. Before we can help, you will need to provide proof of purchase with the date of purchase and photos of the defective merchandise. We will use the photos to determine the cause of defect and for future quality control.

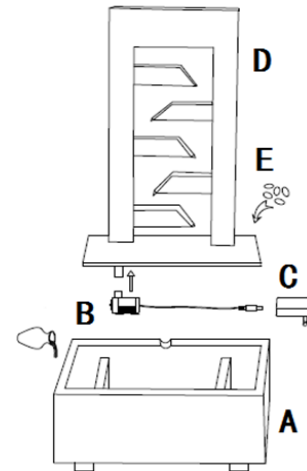
Item#:GSI-873

Warning and Safety Concerns

- * The pump and halogen light are tested and approved for indoor use only.
- * Keep fountain out of reach of children.
- * Use proper power source as indicated on water pump label.
- * Keep electrical cords away from all heat sources. Do not place electrical cords in high temperatures.
- * Check water level at pump location regularly. To avoid damage the pump must be fully submerged.

PARTS LIST

- A: Base 1PC
- B: PUMP 1PC
- C: Trans 1PC
- D: Cover of Base 1PC
- E: Fountain body 1PC
- F: Pebbles 1BAG



ASSEMBLY INSTRUCTIONS

1. Locate the base on the flat location. Add water to the level indicated in.
 - B. Insert the pump into the basin and connect the pump with hose.
 - C. Connect the connectors of transformer.
2. A. Place the cover of base.
 - B. Put the fountain body onto the base.
3. A. Put in rubble stones on top of base.
 - B. Plug the power cord into an outlet.

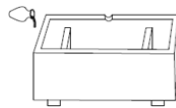


Fig. 1

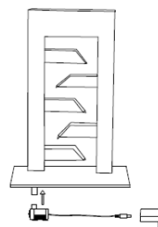


Fig. 2



Fig. 3

TROUBLESHOOTING :

Pump operates, but no water flow:

* Make sure pump is fully submerged in water. If there is still no water flow please turn off the power of the transformer, repeat this step several times.

Water speed:

* To change the water speed, simply adjust the switch control located on the pump housing.

Noise from fountain:

* Check water level and make sure the pump is completely submerged.

Light does not shimmer:

* Check the light bulb and make sure it is connected to socket.