



Thank you for choosing Sunnydaze Decor. We stand behind our brand and the quality of the items we sell. Replacement parts or products will be sent at our discretion, within the one-year warranty period. Proof of purchase, with the date of purchase as well as photos of the defective merchandise, must be provided.

If you have any questions, comments or concerns please feel free to contact us by phone at: **888-881-4668**. You may also contact us by email: customerservice@serenityhealth.com, or via our webpage at: www.serenityhealth.com/contact-us/

DSL-681 Instructions

■ Parts list	
	Leg (A) ————— 4pcs
	Top Support Beam(B) ——— 1pc
	Side Rail (C) ————— 2pcs
	A-Frame Support Rail (D) — 4pcs
	Swing Hanger Post with Hanger Hooks (E) — 2pcs
	Seat Back (F) ————— 1pc
	Seat Board (G) ————— 1pc
	Arm (H) ————— 2pcs
	Cross-Side-Log (I) ——— 2pcs
	8x110mm Bolt and Nut sets (J) — 8pcs
	8x130mm Bolt and Nut sets (K) — 4pcs
	8x140mm Bolt and Nut sets (L) — 6pcs
	8x160mm Bolt and Nut sets (M) — 2pcs
	10x280mm Bolt and Nut sets (N) — 2pcs
	Hanger Hooks (O) ————— 2pcs
	"S" Hook (P) ————— 4pcs

■ How to assembly

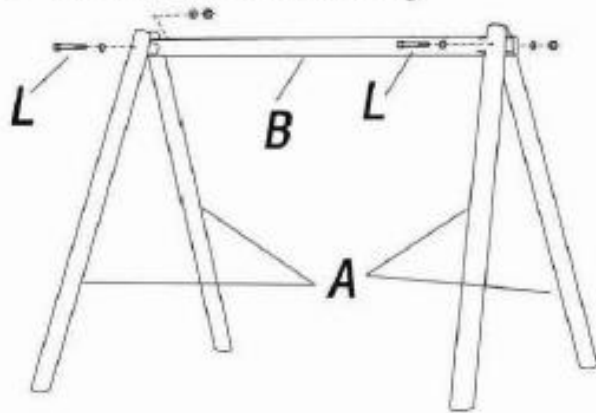


Fig 1. Attach Top Support Beam (B) to Leg (A) using two 8×140mm Bolt and Nut sets(L).

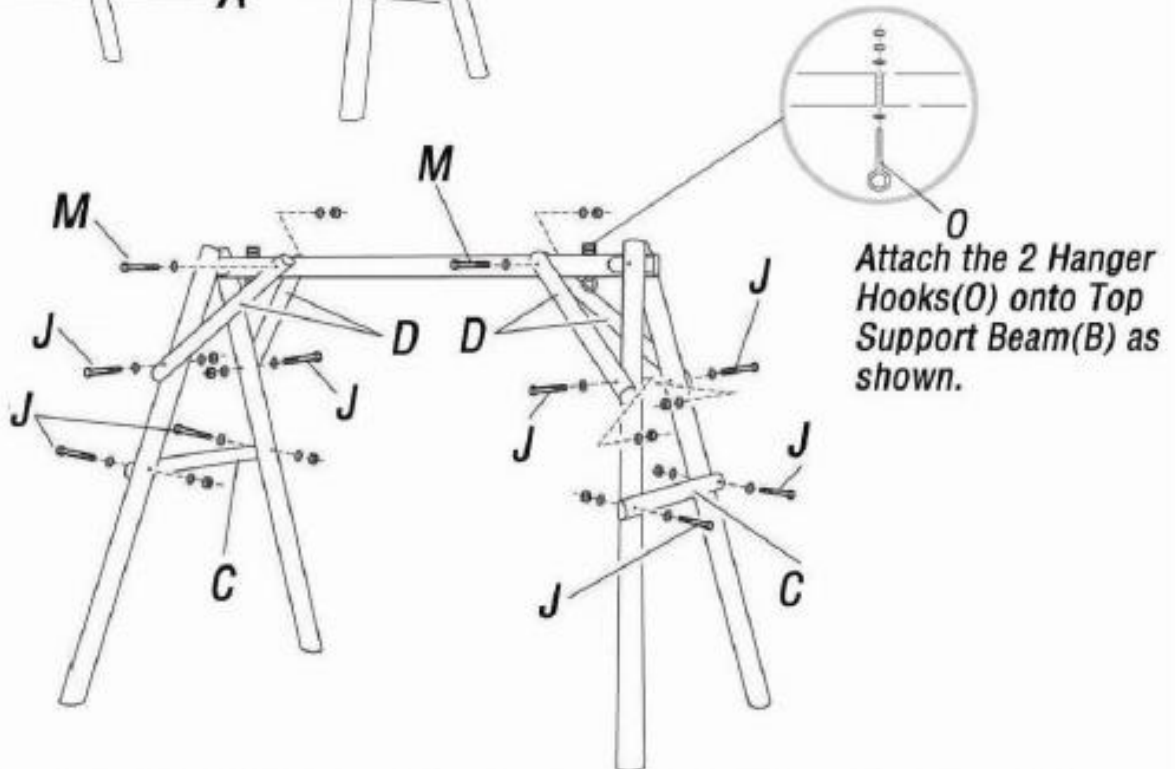


Fig 2. Attach the Side Rail (C) to Leg (A) using four 8×110mm Bolt and Nut sets(J), Hammer together tightly. Attach the four A-Frame Support Rail (D) to Top Support Beam(B) using two 8×160mm Bolt and Nut Set(M). Allow the A-Frame Support Rail to hang down freely while attaching the 8×160mm bolt and nut set(M). Do not screw in too tightly. Push each of the four A-Frame Support Rail (D) to outside of the A-Frame Side Support., as shown above. Line up the holes on lower A-Frame Support Rail (D) to the holes of A-Frame Side Support. Attach the A-Frame Support Rail to the A-Frame Sides using four 8×110mm Bolt and Nut Sets(J).

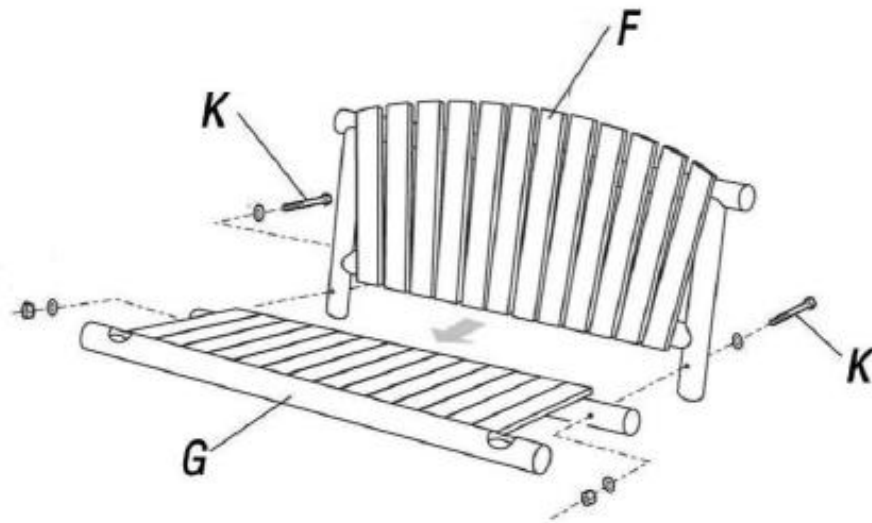


Fig 3. Attach the Seat Board (G) to Seat Back (F) using two 8×130mm Bolt and Nut Sets(K).

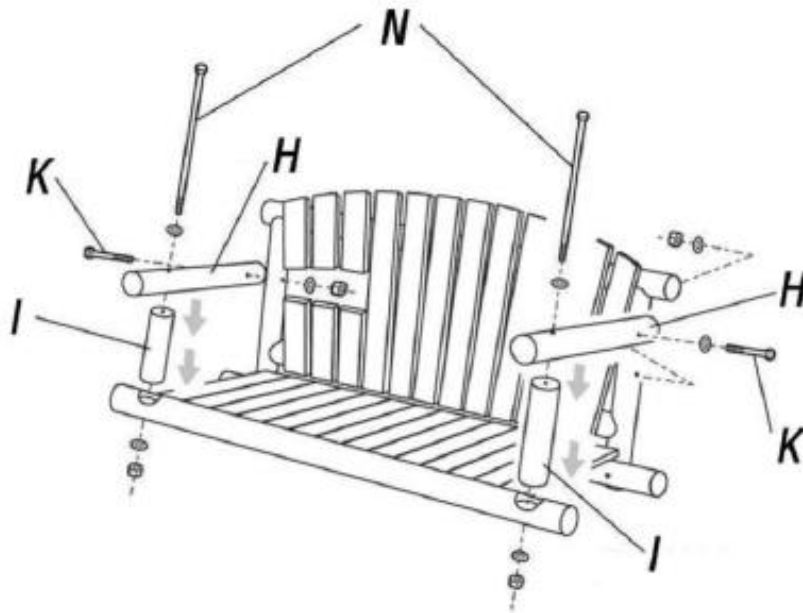


Fig 4. Attach the Arm (H) to the Seat Back (F) using two 8×130mm Bolt and Nut Sets(K). Attach the Arm (H) and the Cross-Side-Log (I) to Seat Board (G) using two 10×280mm Bolt and Nut Sets(N). Hammer together tightly.

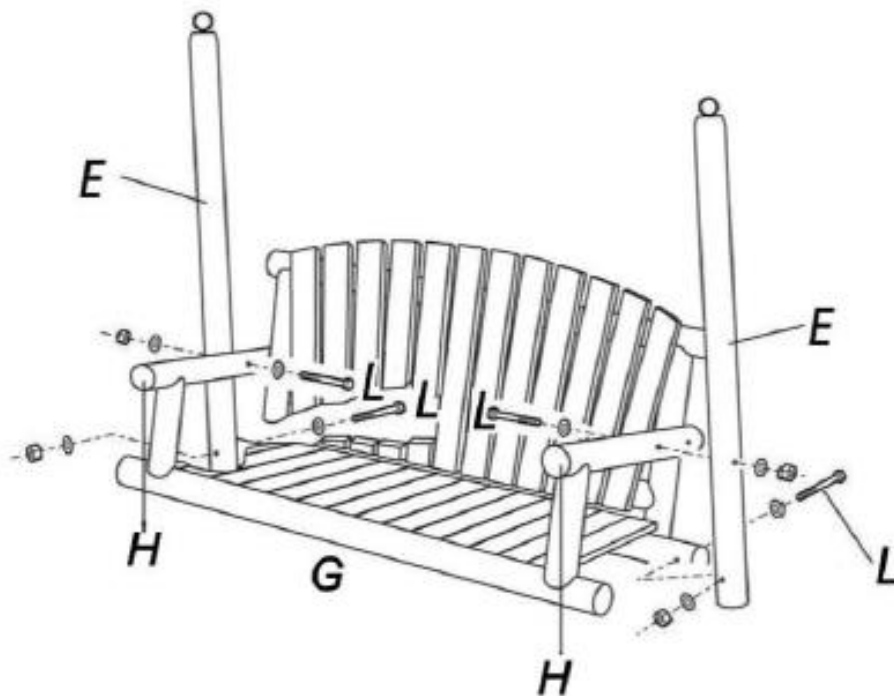


Fig 5. Attach the Swing Hanger Post with Hanger Hooks (E) to the Arm (H) and the Seat Board (G) using four 8×140mm Bolt and Nut Sets(L). Hammer together tightly.

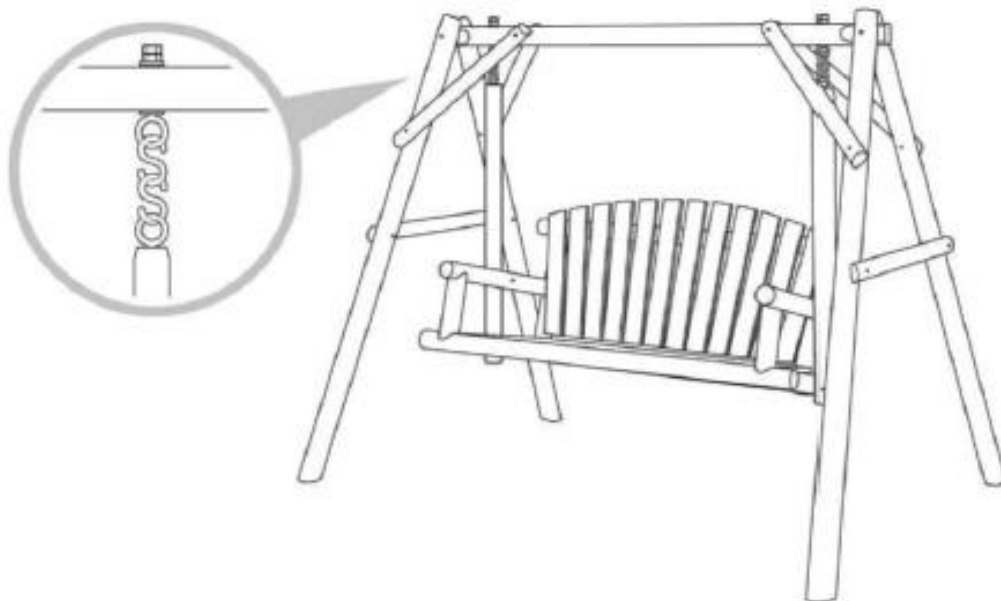


Fig 6. Attach swing to A Frame with the "S"Hook(P) as shown in Fig 6.