

SOLAR PUMP KIT MANUAL AMP-P001B1

Read this manual carefully before using this product and save this manual for future reference.

1. OVERVIEW

This kit is designed to operate only during daytime hours provided that the solar panel is receiving direct sunlight.

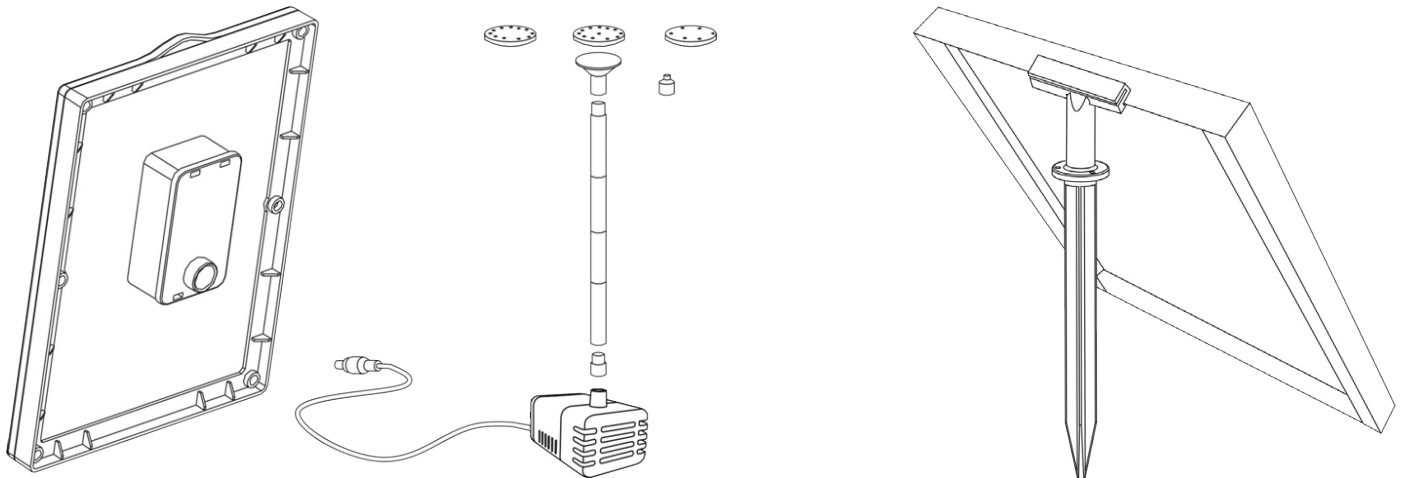
The solar-powered pump is intended for fountain, pond or outdoor use and was designed with dry-run protection to prevent the pump from burning out if the fountain, pond or pool dries out. The pump derives its power directly from the solar panel. In order for the pump to operate, the solar panel must be placed in direct sunlight. The performance of the pump depends on the season and the position of the solar panel.

2. ASSEMBLING AND USING YOUR PRODUCT

Carefully unpack all components.

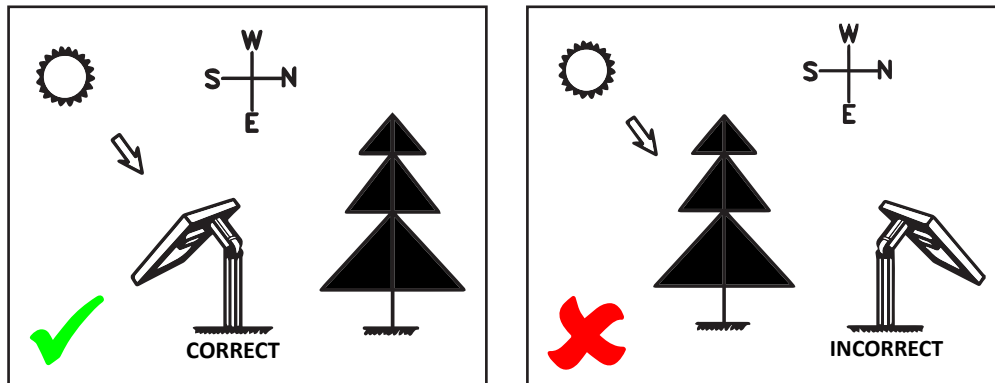
Connect pump accessories to obtain performance for the intended use. Place the pump underwater, ensuring that the pump will remain submerged during operation. For use with a water fountain, attach the pump directly to the fountain tubing; if the tubing is not long enough to allow the pump to remain completely submerged in water, you may use flat stones or bricks to elevate the pump to the proper height.

Connect the pump cable to the solar panel and place the panel in full, direct sunlight avoiding areas that will become shaded during the day.



3. PANEL PLACEMENT

Insert the spike into the ground. Position the solar panel to face South (in northern hemisphere) to make the most of daylight hours. It is important to angle the solar panel towards the sun when sun is at its highest point. Ensure the solar panel is not shaded by trees, shrubs or buildings.



4. CLEANING AND MAINTENANCE

 **DO NOT USE BLEACH to clean this product**

Solar Panel:

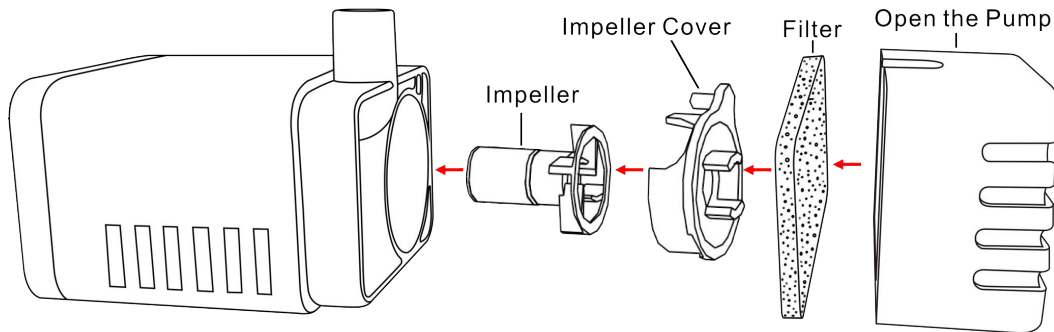
Clean the solar panel regularly to maintain optimum conversion of the sun's energy into direct current to power the pump. Solar panels can become extremely hot in sunshine so it is recommended that cleaning be performed early in the morning, late in the evening or during a relatively cool day.

The solar panel should only be cleaned with a soft tissue, soft cloth or soft sponge and a proprietary glass cleaning solution. Take care not to scratch the glass of the solar panel while cleaning.

Pump (6V DC):

After some time of use, if the pump starts losing power or stops working you should check for the buildup of sediment or scale in the filter and/or in the pump housing. The filter housing can be removed by pressing down on the bottom of the filter housing.

To clear the impeller, open the pump housing at the front by sliding up the front plastic cover.



5. TROUBLESHOOTING

Pump is not operating even though the solar panel is in full sunlight.

- ▶ Pump is submersed – ensure the pump is fully submersed in water as it will not operate if it is not.
- ▶ Cable connection secure – ensure the pump cable is securely attached to the solar panel.
- ▶ Impeller may be blocked – disassemble the pump as shown above. Use a small brush or stream of water to remove any debris.

Pump is operating but there is little or no water running through the fountainhead.

- ▶ Check pump for debris – check to ensure debris is not blocking the front of the pump.
- ▶ Check for the buildup of sediment or scale – check the pump, filter, tubes and fountainheads for blockages. Clear loose blockages by hand and clean pump components. Fountain cleaning products are recommended for cleaning fountain components; **do not use bleach** to clean this product as using bleach will invalidate the product warranty.

6. TECHNICAL DATA

Operation Voltage	6V DC
Solar Module	1.3W
Max. Water Lift	0.5m
Max. Water Flow	150 L/H
Cable Length	5m



SAFETY & WARNING STATEMENTS



- Altering of this product or changing components is prohibited.
- Do not connect the pump to any AC voltage power; it is intended ONLY for DC voltage power.
- Do not pump with flammable liquids.
- Do not use pump with water above 35°C (95°F).
- During freezing weather, dry and store all components of the kit.
- Do not strike the solar panel.
- Do not lift the pump by the power cable.
- Operate the pump in freshwater only.
- Do not use bleach or corrosive chemicals to clean any components of the unit.

Any modification of this product or failure to follow the recommended care, safety and warning statements will void the product warranty.