

MODEL: SLO407B PEDESTAL & BALL  
**ASSEMBLY INSTRUCTIONS**  
READ AND SAVE THESE INSTRUCTIONS

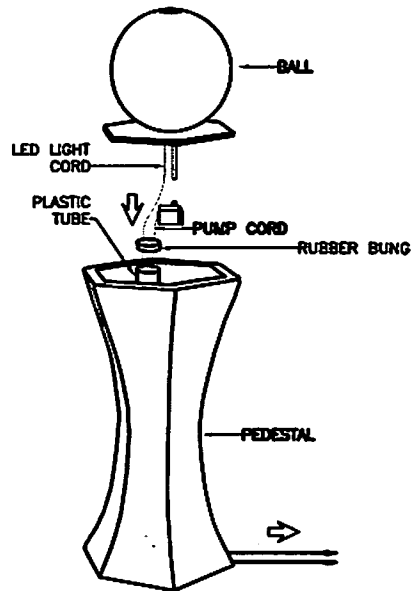
**UNPACK THE PACKAGE**

YOU SHOULD HAVE RECEIVED THE FOLLOWING PARTS:

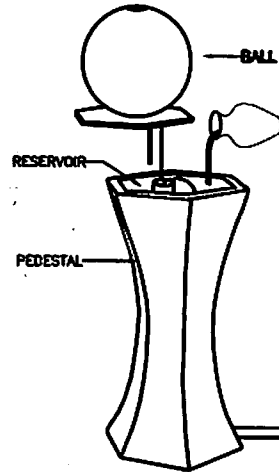
- 1PC BALL,
- 1PC PEDESTAL WITH RUBBER BUNG,
- 1PC PUMP,
- 1PC LED LIGHT (PRE-ASSEMBLED IN BALL)
- 1PC SOLAR PANEL,
- 1PC SOLAR PANEL BRACKET,
- 1PC EXTENSION TUBE
- 1PC GROUND SPIKE.

TO PROTECT THE PRODUCT, PLACE ALL PARTS ON A SOFT SURFACE BEFORE ASSEMBLY.

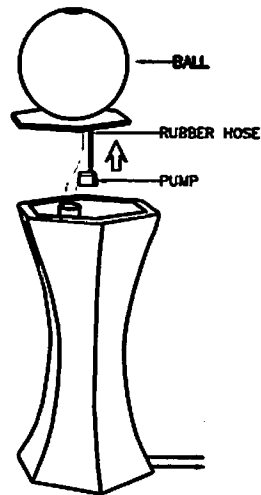
1. FEED THE PUMP AND LED LIGHT CORDS THROUGH THE PLASTIC TUBE IN RESERVOIR TOWARDS THE BOTTOM OF PEDESTAL, CORDS EXIT OUT FROM CHANNEL IN THE BOTTOM OF PEDESTAL. MAKE SURE YOU COVER THE PLASTIC TUBE HOLE WITH A PROVIDED RUBBER BUNG AVOIDING ANY WATER LEAKAGE.



2. FILL RESERVOIR WITH APPROPRIATE AMOUNT OF WATER TO COMPLETELY SUBMERSE THE PUMP.

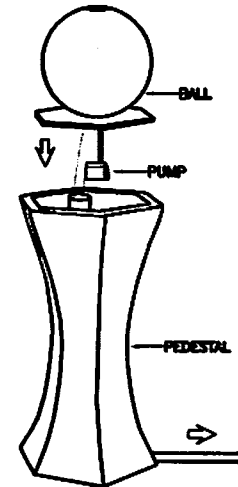


3. ATTACH PUMP TO RUBBER HOSE.

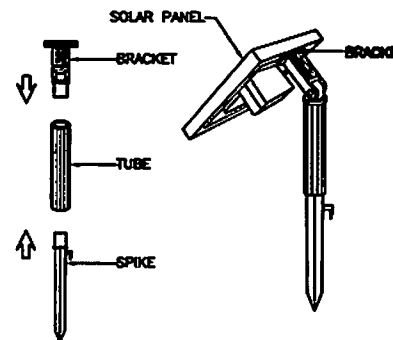


MODEL: SLO407B PEDESTAL & BALL  
**ASSEMBLY INSTRUCTIONS**  
READ AND SAVE THESE INSTRUCTIONS

4. PLACE THE BALL WITH THE PUMP ONTO THE TOP OF PEDESTAL.

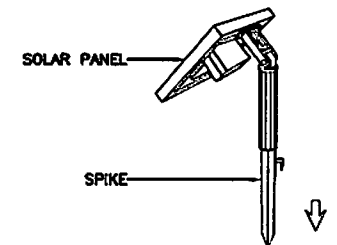
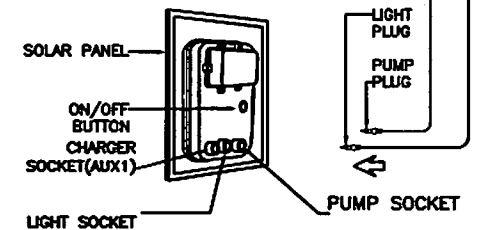
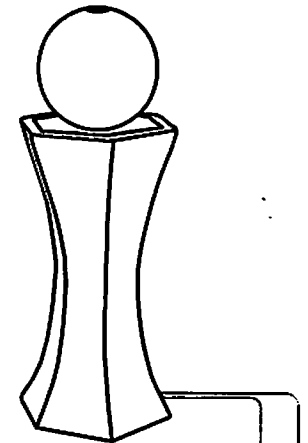


5. JOIN BRACKET, TUBE AND SPIKE TOGETHER, THEN ATTACH BRACKET TO BACK OF THE SOLAR PANEL AS SHOWN.



6. TWIST PUMP PLUG SLIGHTLY AND PUSHING IT INTO THE PUMP SOCKET, THEN TWIST LED LIGHT PLUG SLIGHTLY AND PUSHING IT INTO THE LIGHT SOCKET, MAKE SURE THE SEALING RINGS ARE FULLY IN GROOVES.

7. INSERT SPIKE INTO GROUND, MAKE SURE THE SOLAR PANEL RECEIVE DIRECT SUNSHINE, NOT HIDDEN BY TREES, SHRUBS OR BUILDINGS.



MODEL: SL0407B PEDESTAL & BALL  
**OPERATE INSTRUCTIONS**  
READ AND SAVE THESE INSTRUCTIONS

**SOLAR PUMP FUNCTIONS:**

1. THIS PUMP IS DESIGNED TO RUN BY SOLAR POWER DIRECTLY WHEN SUNLIGHT CONDITION IS GOOD ENOUGH; TO RUN BY BATTERY POWER WHEN CLOUDY DAY OR AT NIGHT TIME.

**1.1 SOLAR WORKING MODE:** PUMP RUNS FROM SOLAR POWER DIRECTLY, THE PERFORMANCE OF PUMP IS RELATED TO THE AMOUNT AND STRENGTH OF SUNLIGHT RECEIVED BY SOLAR PANEL.

**1.2 BATTERY WORKING MODE:** WHEN YOUR PUMP STOPS WHEN CLOUDY DAY OR IN THE EVENING, PRESS [ON] BUTTON TO RUN FROM BACKUP BATTERY POWER, THE PUMP WILL KEEP RUNNING UNTIL BATTERY POWER USED OUT. THEN THE PUMP WILL SWITCH TO SOLAR WORKING MODE AUTOMATICALLY, IT WILL RE-START UP WHEN THE SUN COMES OUT AGAIN.

2. THE BATTERY INDICATOR(BESIDE ON/OFF BUTTON) WILL BE GREEN LIGHT ON WHEN PUMP WORKS NORMALLY.

3. THE BATTERY INDICATOR(BESIDE ON/OFF BUTTON) WILL BE RED LIGHT ON WHEN BATTERY USED OUT.

4. THE BATTERY INDICATOR(BESIDE ON/OFF BUTTON) WILL BE ORANGE LIGHT ON WHEN CHARGING THE BATTERY WITH AN AC/DC ADAPTOR (SOLD SEPARATELY), THE ORANGE LIGHT WILL BE OFF AFTER CHARGED.

5. THE LED LIGHTS ONLY WORK AT NIGHT WHEN THE PUMP IS TURNED ON.

6. IF YOU WANT YOUR PUMP RUN LONGER TIME IN THE EVENING, SUGGEST TO TURN OFF THE PUMP DURING DAY, LET ALL SOLAR POWER GO FOR CHARGING BATTERIES.

7. ALTHOUGH THERE MAY BE SOME INITIAL CHARGE IN BATTERIES, WE RECOMMEND FULLY CHARGING THEM BEFORE FIRST USE. TURN OFF THE PUMP AND LEAVE THE SOLAR PANEL IN GOOD SUNLIGHT FOR AT LEAST 6 HOURS TO HAVE THE BATTERIES CHARGED AS FAR AS POSSIBLY.

**MAINTENANCE OF BATTERY:**

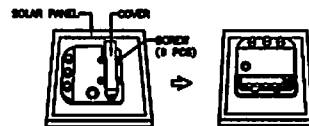
\* RECHARGABLE BATTERY PACK BECOME LESS EFFICIENT WITH REPEATED CHARGE AND DISCHARGE CYCLES, THE CAPACITY OF THE BATTERY PACK MAY REDUCE OVER TIME. IF YOU FIND THAT THE BATTERY PACK APPEAR LESS EFFICIENT, TRY TO BOOST CHARGE IT. TO DO THIS, LEAVE OFF THIS FOUNTAIN FOR 2~3 DAYS IN SUNNY DAYS TO ALLOW MAXIMUM CHARGE TO BATTERY PACK.

WE RECOMMEND THAT YOU DO THIS OCCASIONALLY TO HELP PROLONG THE LIFE OF BATTERY PACK. IF YOUR BATTERY PACK STILL DOES NOT WORK WELL AFTER THIS BOOST CHARGE, YOU SHOULD REPLACE THE BATTERY PACK AS BELOW.

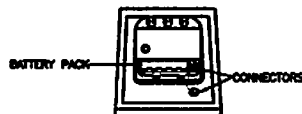
\*\* AFTER THE BATTERY PACK USED FOR 12~18 MONTHS, IT MAY HAVE REACHED IT'S SERVICE LIFE, YOU SHOULD REPLACE THE BATTERY PACK.

**HOW TO REPLACE THE BATTERY:**  
**NI-MH 4PC 1.2V/1.8AH**

1. REMOVE LED LIGHT PLUG AND PUMP PLUG FROM SOLAR PANEL.
2. REMOVE COVER FROM SOLAR PANEL BY UNSCREWING (6) SCREWS.



3. DISCONNECT THE CONNECTORS, THEN REPLACE THE OLD BATTERY PACK WITH A NEW BATTERY PACK AND JOIN THE CONNECTORS TOGETHER.



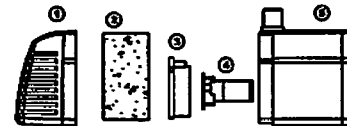
4. SECURE THE COVER TO SOLAR PANEL WITH THE (6) SCREWS REMOVED ABOVE.

MODEL: SL0407B PEDESTAL & BALL  
**OPERATE INSTRUCTIONS**  
READ AND SAVE THESE INSTRUCTIONS



**MAINTENANCE OF PUMP**

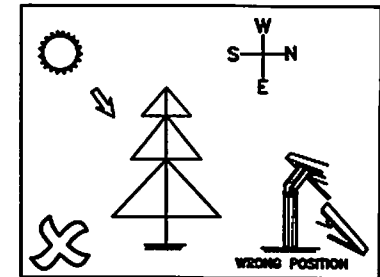
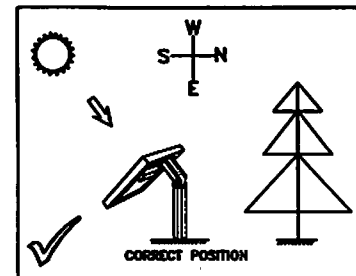
IF YOU FIND THE PUMP START LOSING POWER OR STOP WORKING, PLEASE CLEAN THE PUMP FILTER AND IMPELLER WITH WATER.



- ① FRONT CASE
- ② FILTER
- ③ IMPELLER COVER
- ④ IMPELLER
- ⑤ PUMP

**HOW TO POSITION THE SOLAR PANEL CORRECTLY**

INSERT THE SPIKE INTO THE GROUND. POSITION THE SOLAR PANEL TO FACE SOUTH (In Northern Hemisphere) AS MUCH AS POSSIBLE TO MAKE THE MOST OF THE DAYLIGHT HOURS. IT IS IMPORTANT TO ANGLE THE SOLAR PANEL TO FACE SUN WHEN SUN IS AT ITS HIGHEST POINT. ENSURE THE SOLAR PANEL IS NOT SHADED BY TREES, SHRUBS OR BUILDINGS.



**TROUBLE SHOOTING:**

1. CHECK SOLAR PANEL IN CORRECT POSITION, RECEIVING DIRECT SUNLIGHT, NOT SHADED.
2. IF YOU FIND BATTERY INDICATOR RED LIGHT ON, PUMP IS NOT WORKING, THAT MEANS BATTERY LOW. PLEASE LEAVE SOLAR PANEL IN SUNSHINE TO CHARGE THE BATTERIES.
3. CHECK WATER LEVEL, MAKE SURE THE PUMP IS FULLY SUBMERGED.
4. CHECK THE FOUNTAIN TUBING FOR KINKS AND OBSTRUCTIONS.
5. CHECK THE PUMP IMPELLER BLOCKED BY DEBRIS
6. THE PUMP MAY BE "AIR LOCKED", PLUG AND UNPLUG THE PUMP SEVERAL TIMES TO CLEAR ANY AIR THAT MAY HAVE BEEN TRAPPED.

**WINTER PROTECT**

INDOOR STORAGE IS RECOMMENDED FOR THE WINTER IN HARSH CLIMATES.  
 IN ORDER TO KEEP THE BATTERIES HEALTHY DURING LONG TIME STORAGE WE RECOMMEND YOU TO CHARGE THE BATTERIES BEFORE WINTER STORAGE.